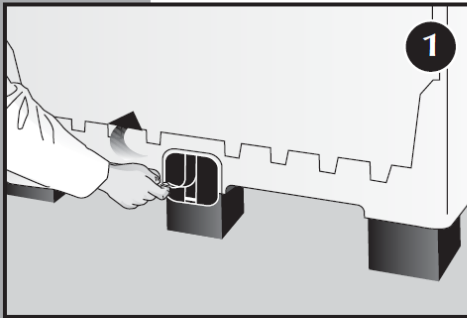


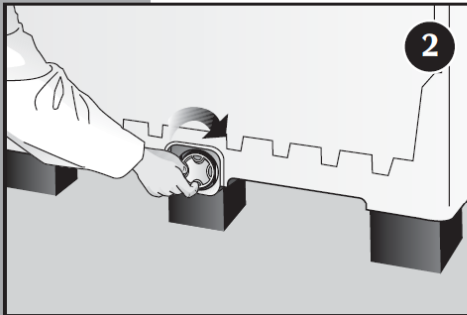
frischli

Bag in Box

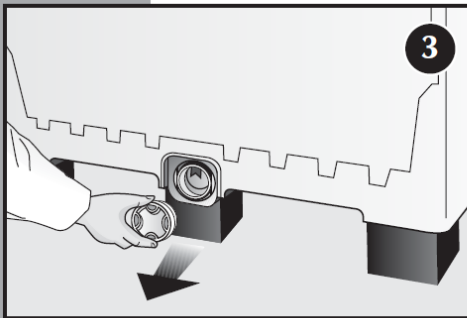
Directions for use



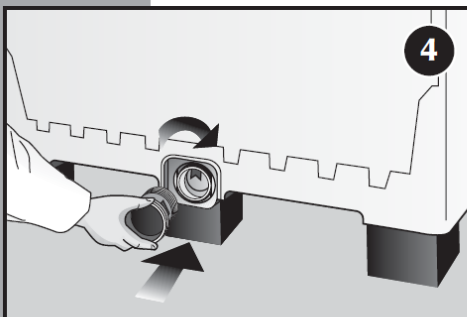
- Remove the Tamper Resistant seal.



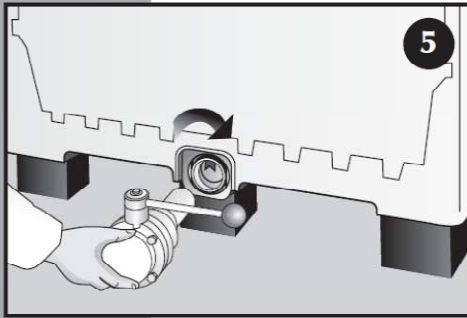
- Unscrew the sealing plug.



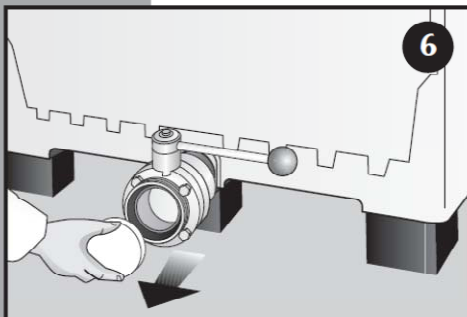
- Remove the sealing plug. A membrane prevents leakage of the product.



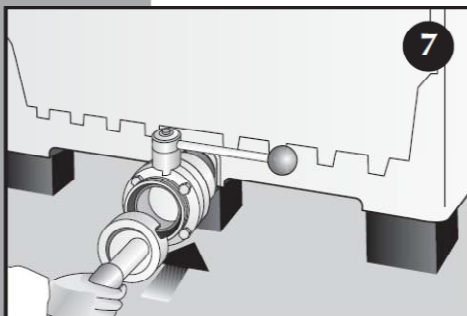
- Screw in the extraction valve hand-tight.



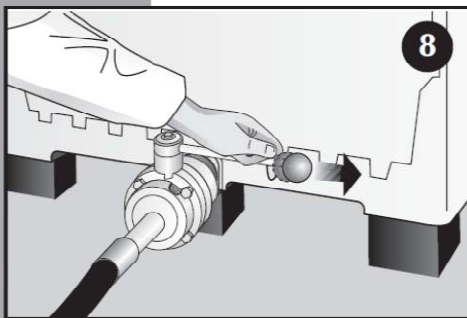
- Install the extraction valve and tighten the coupling nut.



- Unscrew and remove the blind cap from the extractor valve.



- Screw on a customer supplied hose or fitting drainage tap.



- To drain, open the extraction valve (by pulling the handle slightly outwards), the membrane will be simultaneously pierced. If draining the Bag in Box-Barrel completely is not desired, simply drain the required amount and close the extractor valve again.

frischli Milchwerke GmbH
 31547 Rehburg-Loccum
 Bahndamm 4
 Telefon 0 50 37 / 3 01-0
 Telefax 0 50 37 / 3 01-120
 E-Mail: info@frischli.de
 www.frischli.de

frischli